

HBUS 8 Port Hub

The Gallagher HBUS 8 Port Hub allows up to eight HBUS devices to be locally consolidated on one HBUS run.

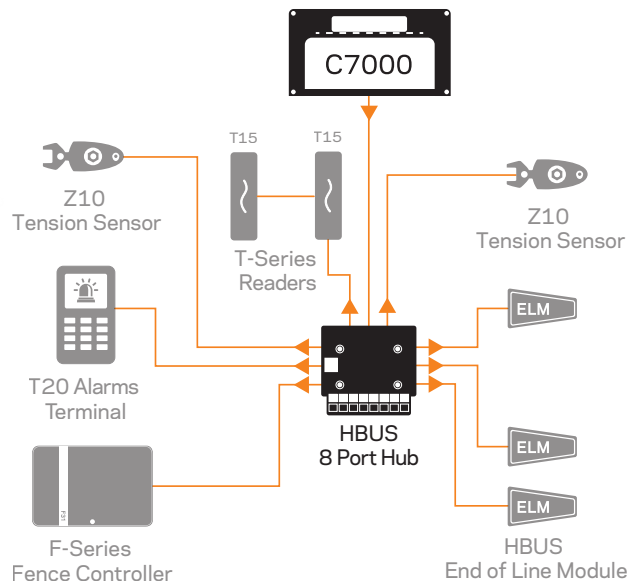
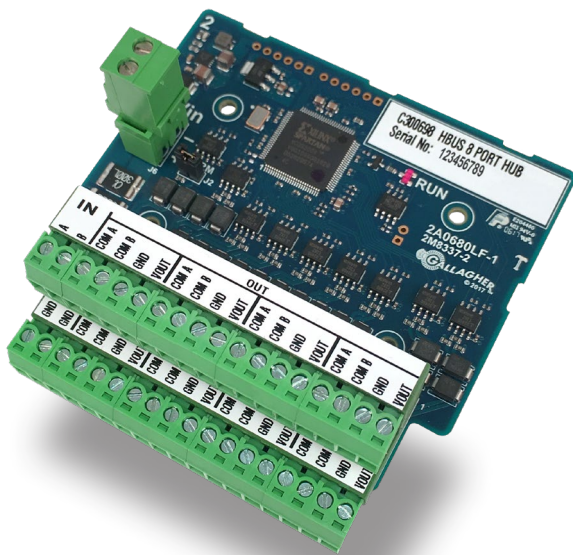
Installation Flexibility

The HBUS 8 Port Hub provides installers with the flexibility to re-use existing wiring on site, allowing combinations of star / home run and daisy chain wiring to be used when connecting HBUS devices back to the Controller.

Installation Flexibility

- Supports 8 downstream HBUS ports (each of which can support multiple devices)
- ¼ footprint PCB, allowing up to 4 HBUS 8 Port Hubs to be mounted on a single Gallagher hardware footprint
- HBUS RS-485 signal regeneration, allowing the hub to act as a repeater where additional distance is required beyond the standard HBUS 500m range.
- Hub and upstream devices are protected from downstream HBUS device faults with a 2A polyfuse
- No Command Centre configuration required

HBUS 8 Port Hub



Technical Specifications

HBUS 8 Port Hub product

C300698 HBUS 8 Port Hub

HBUS 8 Port Hub details

Dimensions mm (H x W x D)	30 x 87 x 88
Dimensions inches (H x W x D)	1.2 x 3.4 x 3.5
Power	13.6 Vdc +/-15%
Idle current @ 13.6Vdc	20mA
Downstream power	Up to 2A total from all output ports combined
Operational Temperature Range °C	-10° to +50°C
Operational Temperature Range °F	14°F to +122°F
Humidity	95% non-condensing
Cable length - Cat5e (data only)*	up to 500m
Cable length - HBUS Cable (data)*	up to 500m
Standards Compliance	FCC, CE, RCM, UL Compliance and certification information is available on our support site or by contacting Gallagher

* For further cable specifications please refer to the Gallagher Security System Technical Reference Manual

Gallagher World Headquarters

181 Kahikatea Drive, Melville, Hamilton 3204
New Zealand

Phone +64 7 838 9800

Email security@gallagher.com



Regional Offices

Americas

+1 877 560 6308

Asia

+852 2946 9641

Australia

+61 3 9308 7722

India

+91 98 458 92920

Middle East

+971 4 566 5834

South Africa

+27 11 974 4740

United Kingdom / Europe

+44 2476 64 1234

Disclaimer

Please note that information contained in this document is intended for general information only. While every effort has been taken to ensure accuracy as at the date of the document, there may be errors or inaccuracies and specific details may be subject to change without notice. Copyright © Gallagher Group Limited.